

Heli-Portable 3 Pcs Skid Mounted Zone-2 rated Slickline Unit <3000 lbs each skid

Manufactured by Eclipse MENA



This design is a 3 piece Heliportable wireline winch unit comprising powerpack module with 80 hp zone-2 rated diesel engine, air-conditioned compact extendable height operator cabin & single drum mount winch module. Each module can be transported as a single lift. The system is suitable for Slickline application 0.092" to 0.125" wire application. Closed loop hydraulics. Hose Reels for BOP control and Stuffing Box Control.

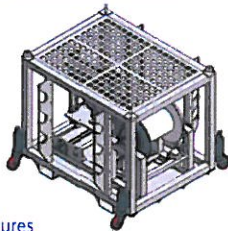
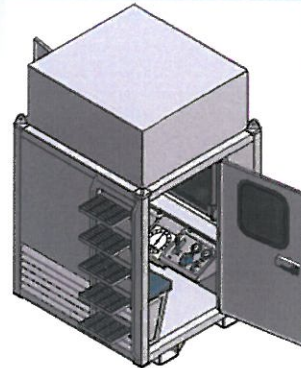
The operator cabin has wall mounted zone-2 rated air-conditioner. The cab is of low height for clear visibility of helicopter pilot and safe latching of slings to helicopter. The cab roof is pneumatically extendable to man height.



Dimensions & Weight of Operator Cab

Dimension: 1.3 x 1.4 x 1.8 meter high

Weight: 1550 lbs with 5 leg lifting sling



Safety Features

Low height operator cabin facilitate clear visibility of helicopter pilot during movement by helicopter on and off the offshore platform. Wall mounted Air-conditioned operator cabin Zone-2 rated. BOP control with accumulator to close BOP in 30 sec even power pack engine is stopped. Two doors in operator cabin with 3 point SS door locks and one panic bar. Automatic stop of winch drum rotation on over pull.

Winch Module: 1.5 x 1.2 x 1.3 meter high; 2800 lbs with SK PCE
25,000 ft but accommodates 18,000 ft for heli-portability Configuration

Three piece configuration, skid mounted modular design, each skid is less than 3,000 lbs

Application

Designed for super light duty (0.092") to heavy duty (0.125") slickline operations.

Low logging speed (6 ft/min) for MPLT application

Structure

Fabricated aluminum frame construction. Enclosed operator cabin design. Fully modular design for all weather protection. Certified four lifting points integrated into frame structure. Forklift pockets integrated into frame structure

Panels & Doors

High strength aluminum panels and doors. Thermally and acoustically insulated panels and doors.

Power Pack : 1.8 x 1 x 1.5 meter high, 2950 lbs

Powerful 4 cylinder Zone-2 rated JCB diesel engine providing 80 hp @ 2,200 rpm. Standard starter is mechanical recoil spring starter but can be fitted with pneumatic or hydraulic starter systems for zone-2 application or electrical starter for rig-safe application. Hydraulically driven 6 KVA zone-2 rated generator. Auxillary hydraulic for Mast Drive, BOP control PTO driven water cooled air-compressor.

Hydraulic System

Field proven, reliable and powerful 375 bar (5,438 psi) Closed Loop Hydraulic system. Variable displacement hydraulic pump and hydraulic motor. Capable of stable logging low speeds 6 ft/min and optional 2 ft/min Capable of fast acceleration at extremely high speeds for effective jarring

Transmission

Hydraulic motor drive via gearbox with chain sprocket to Winch drum

Brake System

Air operated non-asbestos band brake system.

Spooling System

Hydraulic side shift mechanism

Control Panel

Ergonomic SS control panel with English text as standard.

Windows

Clear or tinted single glazed windows set (customer dependent).

Pneumatic System

Engine mounted air compressor with 5 liter air reservoir and warning air horn.

Line Speed

Maximum Line Speed at core: 850 ft/min

Maximum Line Speed at rim: 3280 ft/min

Minimum Line speed: 6 ft/min standard, 2 ft/min optional

Line Pull

Maximum Line pull at core: 8,000 lbs

Maximum line pull at rim: 3,000 lbs

Can be controlled with over pull shutdown at desired line pull i.e. 80% breaking strength of wire or cable

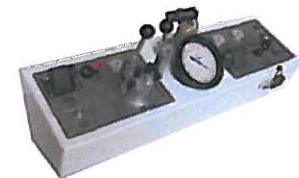
Computerized Data reorder & Display (optional)

Zone-2 rated computerized data display and reorder to capture real-time depth, tension and line speed. Data Can be downloaded to a USB.



Operator Console instrumentation

Pneumatic engine throttle and stop control Drum rotation, line speed and pull control, Martin Decker weight indicator 0-3000 lbs. Mechanical Depth Counter, Measuring device side shift control, Generator volt meter, Air Brake Control, Main Pressure Control, Safety Valve to cut-off winch hydraulic control



Measuring Device

16" dia measuring device with built-in encoder rated for zone-2

Air-Conditioning

Wall Mounted Zone-2 rated air-conditioner rated for 18,500 btu/hr.